

CHEETAH-100 PAN (Single Axis) SYSTEM

CHEETAH-100

CHEETAH-100 is a member of the single axis family. A pocket sized and portable single axis unit. Its compact economic design gives you a highly precise movement supporting payloads up to 4kg. Built-in control electronics and software provide a precise, smooth motion at all speeds.



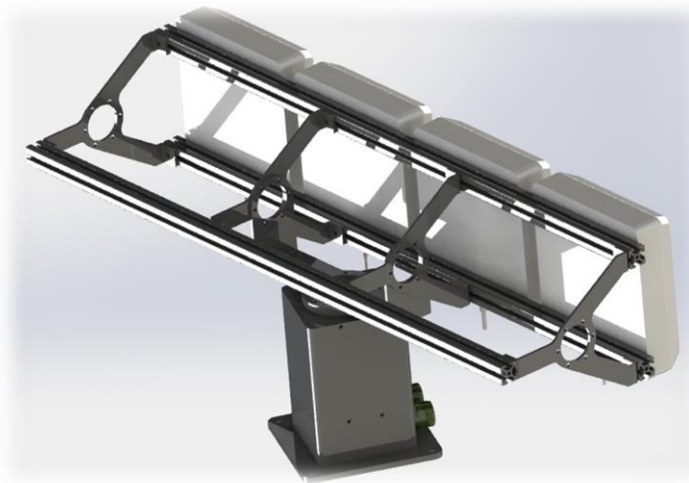
CHEETAH-100 PAN (Single Axis) SYSTEM

CHEETAH-SQ100

CHEETAH-100 is a member of the single axis family.

A pocket sized and portable single axis unit.

Its compact economic design gives you a highly precise movement supporting payloads up to 4kg. Built-in control electronics and software provide a precise, smooth motion at all speeds.



CHEETAH-100 PAN (Single Axis) SYSTEM, General Specification

Product Line: CHEETAH-100	
Type	Square- Shape
Payload Type	Antenna / Radar
Azimuth / Pan movement	Nx360°
Self-Weight [kg]	~2.5
Control mode	Speed / Position
Communication	Ethernet TCP / RS232 / RS422
Environmental protection	IP65, Humidity, Temperatures & more...
Power consumption [V] [A]	24V & 4Amp
max Payload (balanced) [kg]	4
Max Acceleration [°/Sec ²]	150
Speed (balanced) [°/Sec]	0.1-180
Position Accuracy [°]	±1
Position Sensor Encoder	Incremental
Resolution [°]	0.7
Stabilization systems	
Stabilization Accuracy [°]	-
Stabilization Sensor	-
Tracker systems	
GPS Stabilization by Datum point	-
GPS Units	-

(*) Payload dependent

(**) mechanics & power dependent

(***) mass, balance & power dependent

CHEETAH-100 PAN (Single Axis) SYSTEM, GUI Pannell

Parameter	Specification	Notes
Communication	Ethernet (TCP)	
Operation mode	Manual	
Control mode	Speed / Position	
Operation	Manual arrows controlled by user	
Presets	Up to 15 saved points	
Register Status	Online state of system registers	
Software limit switches	User defined software limit switches for both axes	
Homing	Homing position declaration	
IP Setting	Ability changing system IP addresses & port	

